

[www.hazalguvenlik.net](http://www.hazalguvenlik.net)



## Hydraulic Rising Bollard

( K4 - 700 mm )

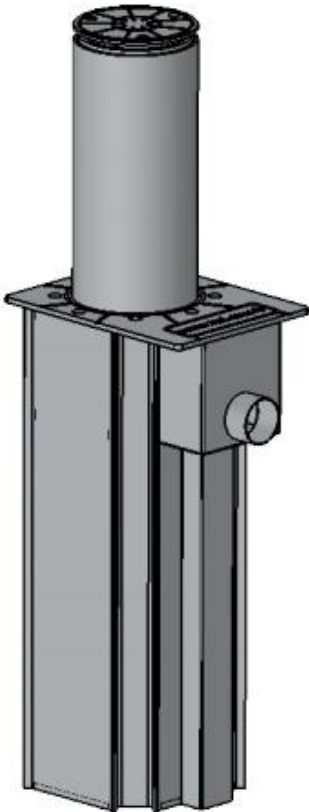
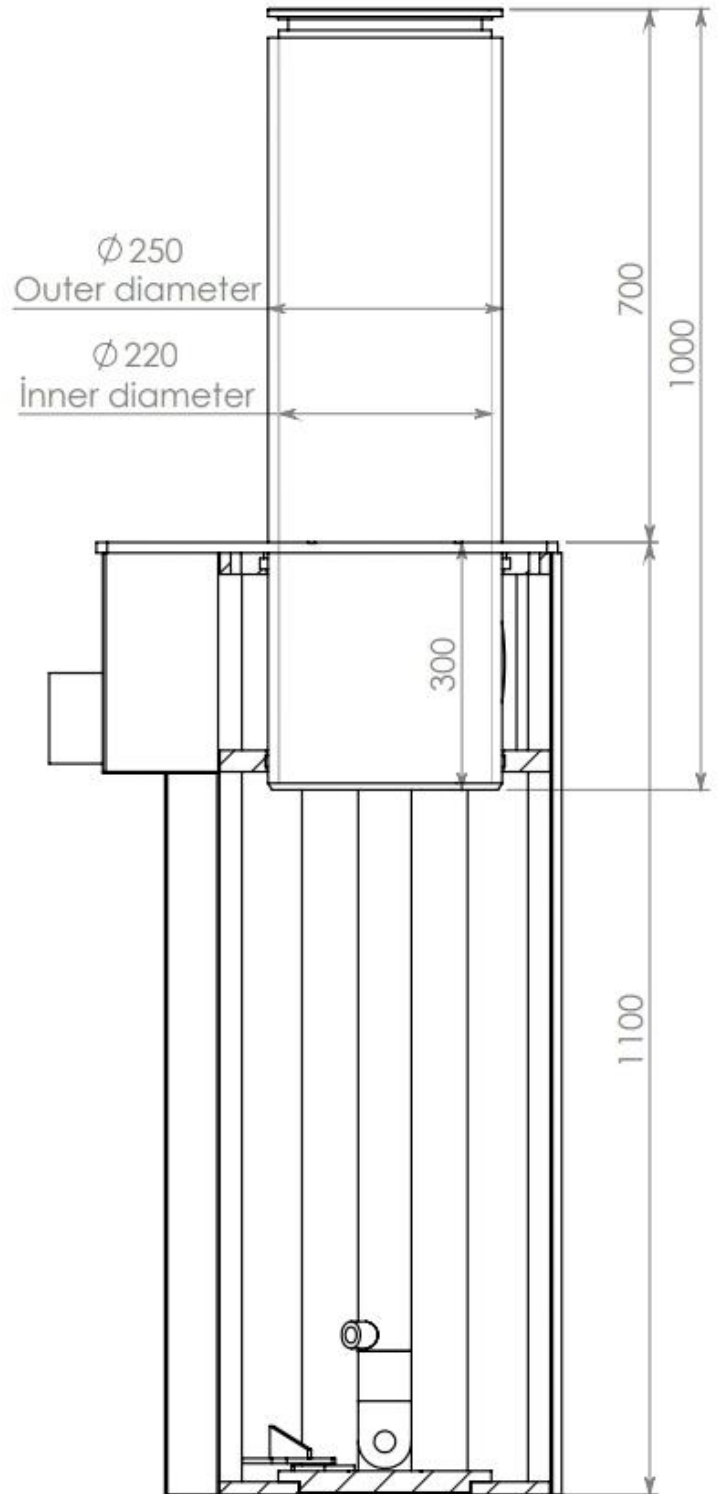
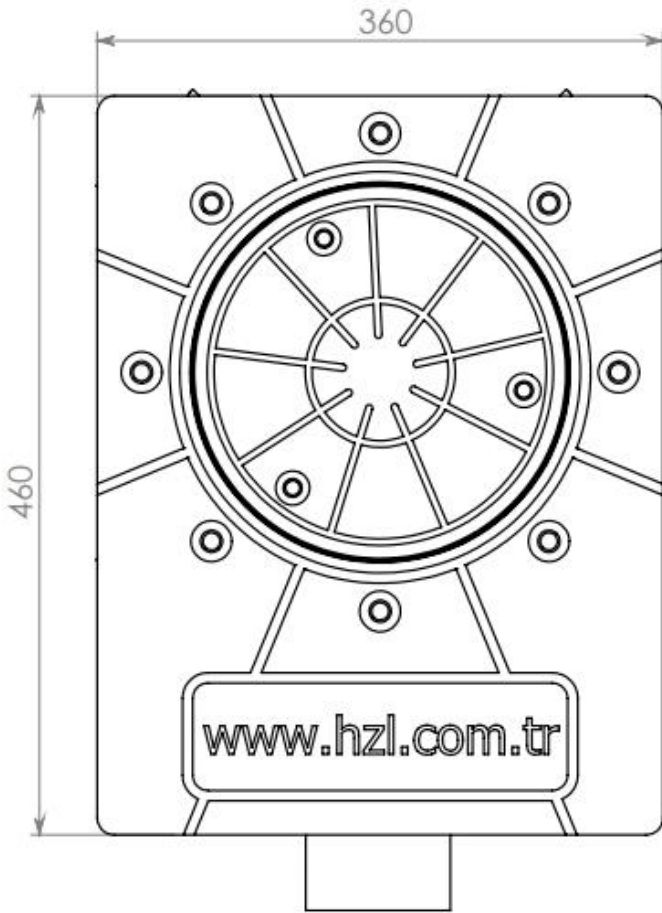
Data Sheet

[www.hazalguvenlik.net](http://www.hazalguvenlik.net)

## Hydraulic Rising Bollard ( K4 - 70 cm )



DRIVE	Hydraulic
DRIVE POWER	Min 10 Bars / Max 120 Bars
CYLINDER RADIUS	250 mm
OBSTACLE HEIGHT	700 mm
CYLINDER WIDTH	15 mm
BEARING	Aluminum
COATING MATERIAL	Steel – 2 mm 304 Stainless Steel
RISING / FALLING TIME	4 Sec / 6 Sec
POWER SUPPLY	380 VAC / 50-60 Hz.
CONSUMPTION	4 KW ( 3 SET )
PROTECTION CLASS	IP 65
CONTROL PANEL	PLC,Programmeable for Integration With Various Systems
RESİSTANCE	40.000 Joules
OPERATION TEMPERATURES	+ 70 °C / - 15 °C
WORKING FREQUENCY	Heavy Duty With 8000 / Day Move Movement
MANUAL OPERATION	Ascenting and Descendding with Manual Hand Pump
OPERATION	Compatible With any king of Standart Interface , Button ( standard ) Remote Control , RFID , Camera , Proximity Card ( optional )
HYDRAULIC OIL	No 46
HYDRAULIC PİPES	18/1,5 Rekor - 3/8 Çap, 350 Bar Max Pressure , 10 mt Pipe Length
BOLLARDS PER UNIT	Max 3 Adet
CERTIFICATION	CE , ISO 9001 : 2008
WARRANTY	2 Years
ACCESORIES	Oil Level and Temperature Indicator,Manometer,Led Strip ( Standard ) Traffic Lights,Flashing Ling, Siren,Warning Sing, Drainage Pump ( optional)



[www.hazalguvenlik.net](http://www.hazalguvenlik.net)



Doğuş Mah Ballıbaba Sok No : 67/3 K.Esat / Çankaya / ANKARA

Tlf : + 90 312 478 2028 – + 90 312 482 0484

[www.hazalguvenlik.net](http://www.hazalguvenlik.net) - [info@hazalguvenlik.net](mailto:info@hazalguvenlik.net)

[www.hazalguvenlik.net](http://www.hazalguvenlik.net)